

COMMERCIAL WATER DISPENSER



TABLE OF CONTENT

CAMPUS SOLUTION BOTTLE FILLING STATION.....	1
GYM SOLUTION BOTTLE FILLING STATION.....	2
COMMERCIAL OUTDOOR DRINKING FOUNTAIN	3
TRANSPORT STATION SOLUTION	4
OUTDOOR SOLUTION.....	5-6
UNDER SINK WATER COOLER.....	7
OFFICE SOLUTION	8
PUBLIK INSTITUTION SOLUTION	9
FACTORY SOLUTION	10
CATERING SOLUTION WATER BOILER	11
WATER BOILER	12
OUTDOOR SOLUTION.....	13-15

CAMPUS SOLUTION BOTTLE FILLING STATION

KBF02-2+02-3

Model	KBF02-2+02-3
Type	Wall Mounted
Material	SUS304
Thickness	#1.0
Rater Voltage	110V / 220V
Dimension	470 x 480 x 1003
Tank capacity	3L
Option	Ambient
Output capacity	Cold : 8 gal
Filter System	GAC



KBF03-1

Model	KBF03-1
Type	Wall Mounted
Material	SUS304
Thickness	#1.0
Rater Voltage	110V / 220V
Dimension	470 x 480 x 495
Tank capacity	3L
Option	Cold / Ambient
Output capacity	Cold: 8 gal
Filter System	GAC



KBF04-1

Model	KBF04-1
Type	Wall Mounted
Material	SUS304
Thickness	#1.0
Rater Voltage	110V / 220V
Dimension	458 x 204 x 651
Tank capacity	/
Option	Cold / Ambient
Output capacity	Optional
Filter System	Optional (External)



KBF04-1F

Model	KBF04-1F
Type	Wall Mounted
Material	SUS304
Thickness	#1.0
Rater Voltage	110V / 220V
Dimension	458 x 204 x 651
Tank capacity	/
Option	Cold / Ambient
Output capacity	Optional
Filter System	Optional (External)



GYM SOLUTION BOTTLE FILLING STATION

KBFO4-2

Model	KBFO4-2
Type	Wall Mounted
Material	SUS304
Thickness	#1.0
Rater Voltage	110V / 220V
Dimension	500 x 86 x 1140
Tank capacity	/
Option	Cold / Ambient
Output capacity	Optional
Filter System	Optional (External)



KBFO4-3

Model	KBFO4-3
Type	Wall Mounted
Material	SUS304
Thickness	#1.0
Rater Voltage	110V / 220V
Dimension	978 x 483 x 1200
Tank capacity	/
Option	Cold / Ambient
Output capacity	Optional
Filter System	Optional (External)



KBFO4-4

Model	KBFO4-4
Type	Wall Mounted
Material	SUS304
Thickness	#1.0
Rater Voltage	110V / 220V
Dimension	978 x 483 x 1200
Tank capacity	/
Option	Cold / Ambient
Output capacity	Optional
Filter System	Optional (External)



KBFO4-5

Model	KBFO4-5
Type	Wall Mounted
Material	SUS304
Thickness	#1.0
Rater Voltage	110V / 220V
Dimension	550 x 450 x 1345
Tank capacity	/
Option	Cold / Ambient
Output capacity	Optional
Filter System	RO



COMMERCIAL OUTDOOR DRINKING FOUNTAIN

KODF02-1

Model	KODF02-1
Type	Free Standing
Material	SUS304
Thickness	#2.0
Dimension	355 x 355 x 1626
Filter System	PP+Everpure



KODF02-2

Model	KODF02-2
Type	Free Standing
Material	SUS304
Thickness	#2.0
Dimension	787 x 355 x 1626
Filter System	PP+Everpure



KODF02-3

Model	KODF02-3
Type	Free Standing
Material	SUS304
Thickness	#2.0
Dimension	1219 x 355 x 1626
Filter System	PP+Everpure



KODF02-2P

Model	KODF02-2P
Type	Free Standing
Material	SUS304
Thickness	#2.0
Dimension	787 x 660 x 1626
Filter System	PP+Everpure



TRANSPORT STATION SOLUTION

PRODUCT FEATURES

- Suitable for densely populated areas, In-wall installation.
- Wear resistant stainless steel plate with special surface treatment, wear-resistant and rust resistant.
- Optional purifier system and cooler unit (UNO1/INO2) combination.
- KBFWA series is Modular design of various functions, allowing for free combination.
- Important: Ventilation is really important, please ensure there's approximately 5 inches space between cabinet walls as well as ventilation for air to circulate outside of the cabinet.



KBFWA1

Model	KBFWA1
Type	Wall Mounted
Material	SUS304
Thickness	#1.2
Dimension	483 x 220 x 1378
Tank capacity	/
Option	Cold / Ambient
Output capacity	Optional
Filter System	Optional (External)



KBFWA2

Model	KBFWA2
Type	Wall Mounted
Material	SUS304
Thickness	#1.2
Dimension	693 x 220 x 1378
Tank capacity	/
Option	Cold / Ambient
Output capacity	Optional
Filter System	Optional (External)



KBFWA3

Model	KBFWA3
Type	Wall Mounted
Material	SUS304
Thickness	#1.2
Dimension	912 x 220 x 1458
Tank capacity	/
Option	Cold / Ambient
Output capacity	Optional
Filter System	Optional (External)



KBFWA4

Model	KBFWA4
Type	Wall Mounted
Material	SUS304
Thickness	#1.2
Dimension	1122 x 220 x 1458
Tank capacity	/
Option	Cold / Ambient
Output capacity	Optional
Filter System	Optional (External)



OUTDOOR SOLUTION

KDF01-1

Model	KDF01-1
Type	Wall Mounted
Material	SUS304
Thickness	#1.2
Dimension	1000 x 550 x 1000
Tank capacity	/
Option	Cold / Ambient
Output capacity	Optional
Filter System	Optional (External)



KDF02-1

Model	KDF02-1
Type	Wall Mounted
Material	SUS304
Thickness	#1.2
Dimension	1000 x 550 x 1000
Tank capacity	/
Option	Cold / Ambient
Output capacity	Optional
Filter System	Optional (External)



KDF01-4

Model	KDF01-4
Type	Wall Mounted
Material	SUS304
Thickness	#1.2
Dimension	380 x 550 x 360
Tank capacity	/
Option	Cold / Ambient
Output capacity	Optional
Filter System	Optional (External)



KDF01-2

Model	KDF01-2
Type	Wall Mounted
Material	SUS304
Thickness	#1.2
Dimension	500 x 550 x 1000
Tank capacity	/
Option	Cold / Ambient
Output capacity	Optional
Filter System	Optional (External)



OUTDOOR SOLUTION

KDF01-3

Model	KDF01-3
Type	Wall Mounted
Material	SUS304
Thickness	#1.2
Dimension	1000 x 550 x 500
Tank capacity	/
Option	Cold / Ambient
Output capacity	Optional
Filter System	Optional (External)



KDF02-4

Model	KDF02-4
Type	Wall Mounted
Material	SUS304
Thickness	#1.2
Dimension	380 x 550 x 360
Tank capacity	/
Option	Cold / Ambient
Output capacity	Optional
Filter System	Optional (External)



KDF02-2

Model	KDF02-2
Type	Wall Mounted
Material	SUS304
Thickness	#1.2
Dimension	500 x 550 x 500
Tank capacity	/
Option	Cold / Ambient
Output capacity	Optional
Filter System	Optional (External)



KDF02-3

Model	KDF02-3
Type	Wall Mounted
Material	SUS304
Thickness	#1.2
Dimension	1000 x 550 x 500
Tank capacity	/
Option	Cold / Ambient
Output capacity	Optional
Filter System	Optional (External)



UNDER SINK WATER COOLER

KUWC01

Model	KUWC01
Type	Under Sink
Material	SUS304
Thickness	#0.8
Rater Voltage	110V / 220V
Dimension	425 x 200 x 395
Tank capacity	3L
Option	Cold
Output capacity	4 gal
Filter System	Optional (External)

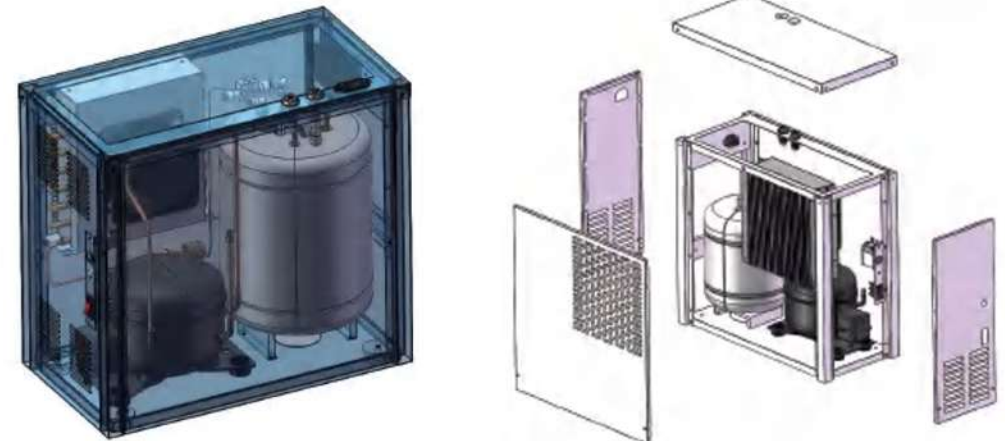


PRODUCT FEATURES

- Cooling capacity of 4/8 gallon per hour
- Temperature control set as standard depending on the incoming water. Adjustable.
- Cold water tank made of stainless steel with a capacity of 3 litres.
- Sealed type compressor, optional Embraco compressor is available.
- Standard with EU Plugs. For UK purchases, this is replaced with a UK 3-Pin
- Does not include Goose-neck taps, Inlet and Outlet PE pipe.
- Simple installation under the sink
- To be used with under sink Reverse Osmosis water filter systems
- Important: Ventilation is really important, please ensure there's approximately 5 inches space between cabinet walls as well as ventilation for air to circulate outside of the cabinet.

KUWC02

Model	KUWC02
Type	Under Sink
Material	SUS304
Thickness	#0.8
Rater Voltage	110V / 220V
Dimension	428 x 228 x 400
Tank capacity	3L
Option	Cold
Output capacity	8 gal
Filter System	Optional (External)



OFFICE SOLUTION

PRODUCT FEATURES

- Refrigerant R-134a.
- Two types of water outlet atmosphere light reminders
- Built-in 10L purifier water tank and built-in ultraviolet sterilization lamp;
- Instant sterilization of faucet by ultraviolet radiation.
- Rated at 3 gallons of water per hour. Optional hot water service is available.
- Optional Water Filter for lead, particulate, chlorine, taste and odor reduction.
- Cabinet is made in stainless steel with Car-printing.
- High Efficiency Cooling Tank and Copper Coil.
- Removable front panels for easy access.
- Suitable for use by up to 30 people in small offices.
- Easy-touch controls for easy operation and increased durability service for adults and children



KWDS8-B

Model	KWDS8-B
Type	Free Standing
Material	SUS201
Thickness	#0.8
Rater Voltage	110V / 220V
Dimension	350 x 450 x 1345
Tank capacity	4L / 3L
Option	Hot + Cold
Output capacity	Cold: 3 gal Hot: 3 gal
Filter System	PP+CTO+RO100G+T33



KWDS8-C

Model	KWDS8-C
Type	Free Standing
Material	SUS201
Thickness	#0.8
Rater Voltage	110V / 220V
Dimension	350 x 450 x 1345
Tank capacity	4L
Option	Hot + Ambient
Output capacity	Pure: 6 gal Hot: 3 gal
Filter System	PP+CTO+RO100G+T33



PUBLIC INSTITUTION SOLUTION



PRODUCT FEATURES

- Refrigerant R-134a.
- Rated at 40 gallons of water per hour. Optional hot water service is available.
- Optional Water Filter for lead, particulate, chlorine, taste and odor reduction.
- Cabinet is made in stainless steel.
- High Efficiency Cooling Tank and Copper Coil.
- Removable front panels for easy access.
- Bubbler is standard and glass filler is optional.
- Easy-touch controls for easy operation and increased durability service for adults and children
- Rated for indoor service.

KPI3GB

Model	KPI3GB
Type	Free Standing
Material	SUS201
Thickness	#0.8
Rater Voltage	110V / 220V
Dimension	900 x 450 x 1100
Tank capacity	45L
Option	Cold
Output capacity	Cold : 40 gal
Filter System	Optional



KPI4HB

Model	KPI4HB
Type	Free Standing
Material	SUS201
Thickness	#0.8
Rater Voltage	110V / 220V
Dimension	1100 x 450 x 1350
Tank capacity	45L
Option	Cold
Output capacity	Cold : 40 gal
Filter System	Optional



KPI4QHB

Model	KPI4QHB
Type	Free Standing
Material	SUS201
Thickness	#0.8
Rater Voltage	110V / 220V
Dimension	1200 x 450 x 1340
Tank capacity	45L
Option	Cold
Output capacity	Cold : 40 gal
Filter System	Optional



KPI6HB

Model	KPI6HB
Type	Free Standing
Material	SUS201
Thickness	#0.8
Rater Voltage	110V / 220V
Dimension	1600 x 450 x 1340
Tank capacity	45L
Option	Cold
Output capacity	Cold : 40 gal
Filter System	Optional



FACTORY SOLUTION

PRODUCT FEATURES

- Refrigerant R-134a.
- Rated at 8 gallons of water per hour. Optional hot water service is available.
- Optional Water Filter for lead, particulate, chlorine, taste and odor reduction.
- Cabinet is made in stainless steel.
- High Efficiency Cooling Tank and Copper Coil.
- Removable front panels for easy access.
- Bubbler is standard and glass filler is optional.
- Easy-touch controls for easy operation and increased durability service for adults and children.
- Rated for indoor service.



KFS2WB

Model	KFS2WB
Type	Free Standing
Material	SUS201
Thickness	#0.8
Rater Voltage	110V / 220V
Dimension	430 x 300 x 1060
Tank capacity	5L / 5L
Option	Hot / Cold
Output capacity	Cold: 4 gal Hot: 4 gal
Filter System	Optional



KFS2GB

Model	KFS2GB
Type	Free Standing
Material	SUS201
Thickness	#0.8
Rater Voltage	110V / 220V
Dimension	430 x 300 x 1250
Tank capacity	5L / 5L
Option	Hot / Cold
Output capacity	Cold: 4 gal Hot: 4 gal
Filter System	Optional



KFS2GYB

Model	KFS2GYB
Type	Free Standing
Material	SUS201
Thickness	#0.8
Rater Voltage	110V / 220V
Dimension	550 x 360 x 1100
Tank capacity	5L / 5L
Option	Hot / Cold
Output capacity	Cold: 4 gal Hot: 4 gal
Filter System	Optional



KFS2HB

Model	KFS2HB
Type	Free Standing
Material	SUS201
Thickness	#0.8
Rater Voltage	110V / 220V
Dimension	500 x 400 x 1450
Tank capacity	5L / 5L
Option	Hot / Cold
Output capacity	Cold: 4 gal Hot: 4 gal
Filter System	Optional



CATERING SOLUTION WATER BOILER



KWB-10-A5

Model	KWB-10-A5
Type	Desktop
Material	SUS201
Thickness	#0.6
Rater Voltage	110V / 220V
Dimension	205 x 375 x 550
Tank capacity	10L
Option	Hot Only
Output capacity	Hot: 5 gal
Filter System	Optional (External)



KWB-15-A5

Model	KWB-15-A5
Type	Desktop
Material	SUS201
Thickness	#0.6
Rater Voltage	110V / 220V
Dimension	205 x 375 x 640
Tank capacity	15L
Option	Hot Only
Output capacity	Hot: 5 gal
Filter System	Optional (External)



KWB-20-A5

Model	KWB-20-A5
Type	Desktop
Material	SUS201
Thickness	#0.6
Rater Voltage	110V / 220V
Dimension	205 x 375 x 710
Tank capacity	20L
Option	Hot Only
Output capacity	Hot: 8 gal
Filter System	Optional (External)



WATER BOILER

KWB20BK-C3

Model	KWB20BK-C3
Type	Desktop
Material	SUS201
Thickness	#0.6
Rater Voltage	110V / 220V
Dimension	410 x 180 x 470
Tank capacity	12L
Option	Hot Only
Output capacity	Hot: 8 gal
Filter System	Optional (External)



KWB30BK-C3

Model	KWB30BK-C3
Type	Desktop
Material	SUS201
Thickness	#0.6
Rater Voltage	110V / 220V
Dimension	410 x 180 x 600
Tank capacity	20L
Option	Hot Only
Output capacity	Hot: 12 gal
Filter System	Optional (External)



KWB60BK-C3

Model	KWB60BK-C3
Type	Desktop
Material	SUS201
Thickness	#0.6
Rater Voltage	110V / 220V
Dimension	570 x 260 x 700
Tank capacity	40L
Option	Hot Only
Output capacity	Hot: 23 gal
Filter System	Optional



KWB90BK-C3

Model	KWB90BK-C3
Type	Desktop
Material	SUS201
Thickness	#0.6
Rater Voltage	110V / 220V
Dimension	570 x 260 x 850
Tank capacity	55L
Option	Hot Only
Output capacity	Hot: 23 gal
Filter System	Optional (External)



KWB120BK-C3

Model	KWB120BK-C3
Type	Desktop
Material	SUS201
Thickness	#0.6
Rater Voltage	110V / 220V
Dimension	570 x 260 x 910
Tank capacity	65L
Option	Hot Only
Output capacity	Hot: 35 gal
Filter System	Optional (External)



KWBD-01-C3

Model	KWBD-01-C3
Type	Freestanding
Material	SUS201
Thickness	#0.6
Rater Voltage	/
Dimension	570 x 500 x 490
Tank capacity	/
Option	/
Output capacity	/
Filter System	PP+CTO+UDF



KWBD-03-C3

Model	KWBD-03-C3
Type	Freestanding
Material	SUS201
Thickness	#0.6
Rater Voltage	/
Dimension	570 x 500 x 690
Tank capacity	/
Option	/
Output capacity	/
Filter System	RO400



OUTDOOR SOLUTION



KODFF01

Model	KODFF01
Type	Free Standing
Material	SUS304
Thickness	#1.0
Dimension	380 x 380 x 1060
Filter System	PP+Everpure



KODFF02

Model	KODFF02
Type	Free Standing
Material	SUS304
Thickness	#1.0
Dimension	855 x 380 x 1060
Filter System	PP+Everpure



KODFF03

Model	KODFF03
Type	Free Standing
Material	SUS304
Thickness	#1.0
Dimension	1330 x 380 x 1060
Filter System	PP+Everpure



KODFB04

Model	KODFB04
Type	Free Standing
Material	SUS304
Thickness	#1.0
Dimension	1370 x 1370 x 1190
Filter System	PP+Everpure



OUTDOOR SOLUTION



KODFY01

Model	KODFY01
Type	Free Standing
Material	SUS304
Thickness	#1.0
Dimension	380 x 380 x 1060
Filter System	PP+Everpure



KODFY01-2

Model	KODFY01-2
Type	Free Standing
Material	SUS304
Thickness	#1.0
Dimension	902 x 375 x 980
Filter System	PP+Everpure



KODFS01

Model	KODFS01
Type	Free Standing
Material	SUS304
Thickness	#3.0
Dimension	980
Filter System	PP+Everpure



KODFA04

Model	KODFA04
Type	Free Standing
Material	SUS304
Thickness	#1.5
Dimension	1200 x 1200 x 1140
Filter System	PP+Everpure



OUTDOOR SOLUTION



KODFC04

Model	KODFC04
Type	Free Standing
Material	SUS304
Thickness	#1.5
Dimension	2500 x 1100 x 1200
Filter System	PP+Everpure



KODFC06

Model	KODFC06
Type	Free Standing
Material	SUS304
Thickness	#1.5
Dimension	1800 x 1600 x 1200
Filter System	PP+Everpure



KODFP02

Model	KODFP02
Type	Free Standing
Material	SUS304
Thickness	#1.2
Dimension	1200 x 600 x 1000
Filter System	PP+Everpure



KODFP03

Model	KODFP03
Type	Free Standing
Material	SUS304
Thickness	#1.5
Dimension	1600 x 1100 x 1200
Filter System	PP+Everpure



KODFP04

Model	KODFP04
Type	Free Standing
Material	SUS304
Thickness	#1.5
Dimension	2200 x 1100 x 1200
Filter System	PP+Everpure



INDOTARA[®]

PT. INDOTARA PERSADA

Our Marketing Office and After Sales Service Center



Head Office

50/F, Menara BCA Grand Indonesia
Jl. M.H. Thamrin No.1
Jakarta Pusat 10310
021 - 5011 2229
dwt@indotara.id



Semarang Office

5Wisma HSBC Lt. 6 suite 609
Jl. Gajah Mada No.135,
Semarang, Jawa Tengah - 50134
021 - 5011 2229
smg.dwt@indotara.id



Bali Office

Benoa Square Lt. 2
Jl. Bypass Ngurah Rai No. 21 A Kedonganan,
Kuta Badung - Bali Indonesia 80361
021 - 5011 2229
bali.dwt@indotara.id



Marketing Office

APL Tower 6th Floor No. 6 Central Park,
Jl. Letjen S. Parman Kav 28,
Jakarta Barat - 11440
021 - 5011 2229
dwt@indotara.id



Medan Office

Sutomo Tower Lantai 5H
Jl. Sutomo Ujung No.28,
Kota Medan, Sumatera Utara 20235
021 - 5011 2229
mdn.dwt@indotara.id



Singapore Office

Marina Bay Financial Centre Tower 3
17F, 12 Marina Boulevard
Singapore - 018982
021 - 5011 2229
sing.dwt@indotara.id



Graha Indotara

Millenium Industrial Estate
Jl. Millenium 22 Blok R3 No. 1
Cikupa, Tangerang - Banten 15720
021 - 5011 2229
dwt@indotara.id



Makassar Office

Millenium Industrial Estate
Jl. Millenium 22 Blok R3 No. 1
Cikupa, Tangerang - Banten 15720
021 - 5011 2223
horeca@indotara.id



Yogyakarta Office

Hartono Mall Yogyakarta Lt. 3
Kaliwaru, Condongcatur,
Sleman, Yogyakarta 55281
021 - 5011 2229
yog.dwt@indotara.id



Bandung Office

Wisma HSBC Lt. 6 Suite B
Jl. Asia Afrika No. 116
Bandung, Jawa Barat 40112
021 - 5011 2229
bdg.dwt@indotara.id



Balikpapan Office

Panin Tower Lt. 8 Grand Sudirman
Jl. Jendral Sudirman No.7 Klandasan Ilir,
Balikpapan Kota - Kalimantan Timur 76114
021 - 5011 2229
bpp.dwt@indotara.id



Surabaya Office

Japfa Indoland Center, Tower I Lt. 10/1008
Jl. Jendral Basuki Rahmat 129-137
Surabaya 60271
021 - 5011 2229
sby.dwt@indotara.id